



ARD-0301-A00-TX

3 to 1 KVM Switch Transmitter



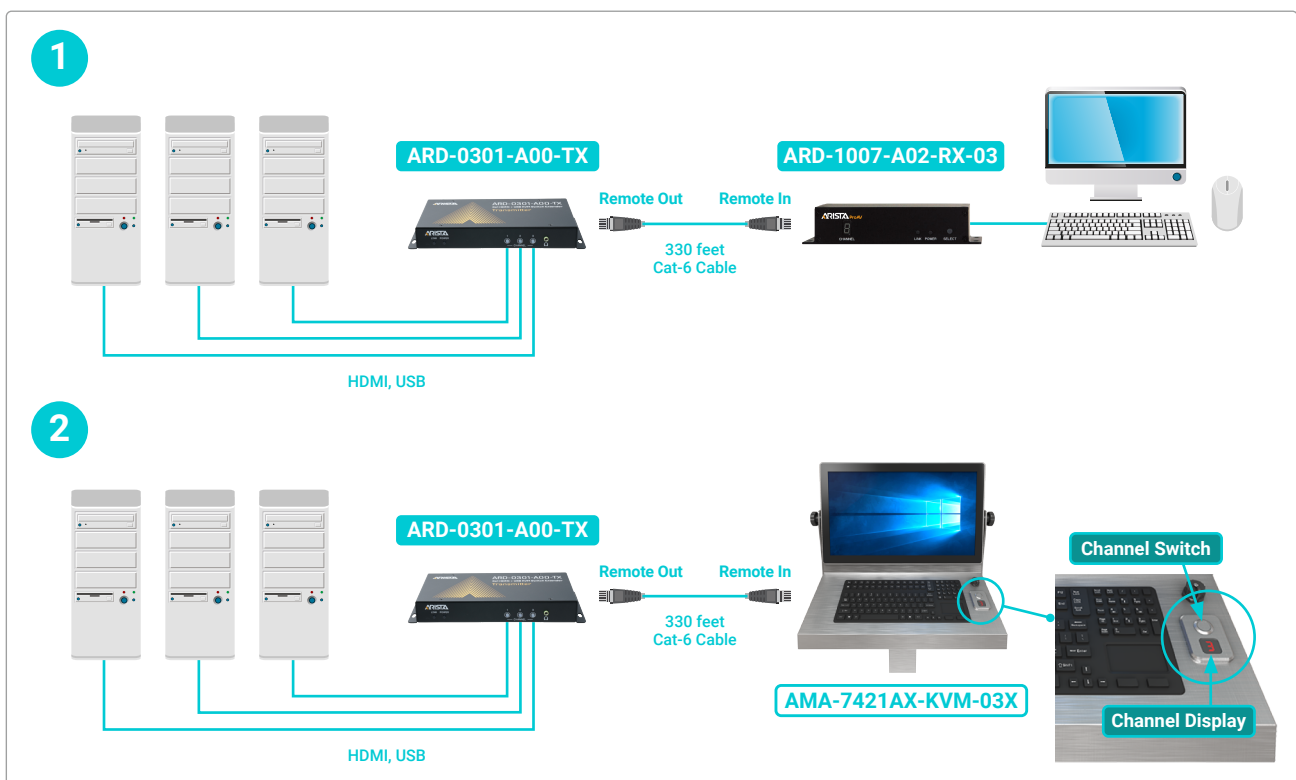
Features

- True one cable 330 feet extension solution
- Encodes 3 to 1 HDMI, USB signals
- Power Source Equipment provides power to receiver

Specifications

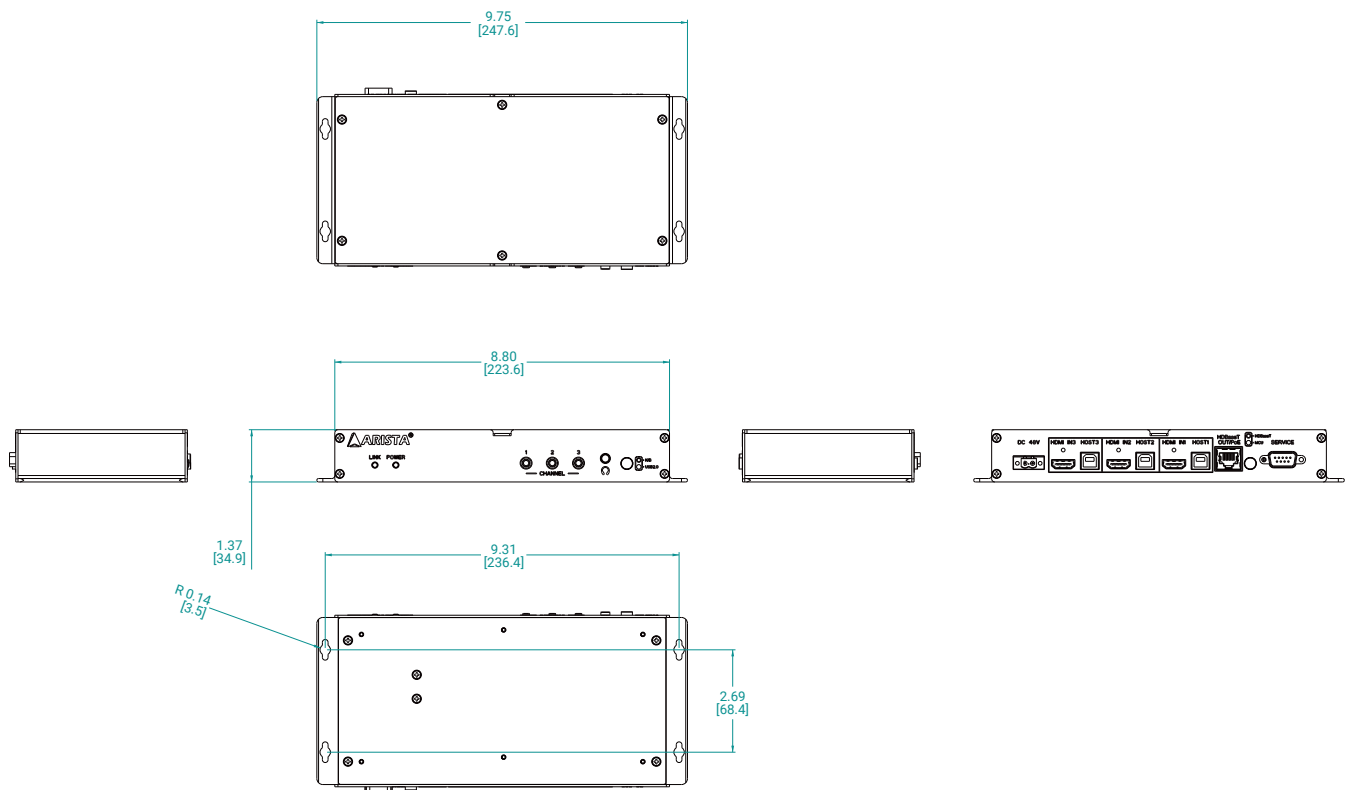
Model Name	ARD-0301-A00-TX
Technical	
Role of Usage	3 to 1 KVM Switch Transmitter (TX)
Video resolution	Up to 3840 x 2160
Extension Media	Cat5e/Cat6 cable
Encoding Signals	HDMI, USB
Input /Output	
HDMI In	3x HDMI female
USB	3x USB Type B
Transmitter Output	RJ-45
Physical Information	
Mounting	Wall mount
Dimension (W x H x D)	9.75 x 1.37 x 3.65 inch 247.6 x 34.9 x 92.8 mm
Power/Thermal Specs	
Power supply	48V DC input
Environmental	
Operation Temperature	0~50°C (32~122°F)
Storage Temperature	-20~60°C (-4~140°F)
Relative Humidity	0~95%

Connection Diagram



Dimension Drawing

Model Name: ARD-0301-A00-TX
Size Unit: inch(mm)



Ordering Information

Main Product

ARD-0301-A00-TX 3 to 1 HDMI, USB KVM Switch Extension Transmitter

Companion Products Ordering Information

ARD-1007-A02-RX-KVM03	3 to 1 HDMI, USB KVM Switch Extension Receiver
AMA-7421AX-KVM03A	3 to 1 KVM Switch Extender Integrated 21.5-inch LCD Operator Station (Keyboard Option A)
AMA-7421AX-KVM03B	3 to 1 KVM Switch Extender Integrated 21.5-inch LCD Operator Station (Keyboard Option B)
AMA-7421AX-KVM03C	3 to 1 KVM Switch Extender Integrated 21.5-inch LCD Operator Station (Keyboard Option C)